



Replaceable end panels (see accessories below)

PRODUCTS

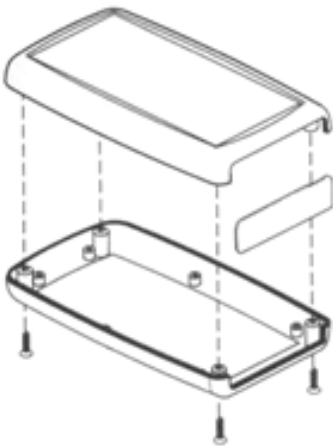
- Products Home
- Size Table
- Accessories
- Customization
- A-Series
- C-Series
- CA-Series
- CH-Series
- G-Series
- H-Series
- M-Series
- R-Series
- RX-Series
- S-Series
- SL-Series

Products: H-Series H-65



MODEL	LENGTH	WIDTH	HEIGHT	DRAWINGS	
				(.pdf)	(.dwg)
H-65	4.940"	2.750"	0.944"		
Click to view circuit board diagram (H-65 Circuit Board)					

FEATURES



- Three piece design with ergonomic handheld shape
- Replaceable end panels ([see accessories below](#))
- Circuit board mounting bosses (adjustable height, [see in-mold customization](#))
- Assembly with four screws
- Customization available
 - five insert areas/I-Plates (top and bottom, internal top and bottom, and face place)
 - machining
 - pad printing

COLORS



Black



Almond



Gray

[Custom Colors Also Available](#)



Translucent colors (red, green, blue and gray)
on selected models

[RETURN TO TOP](#)

ACCESSORIES (Click an accessory for compatible models and part numbers)



**Infrared, Clear and
Transparent End Panels**
[RETURN TO TOP](#)



Pocket Clip